

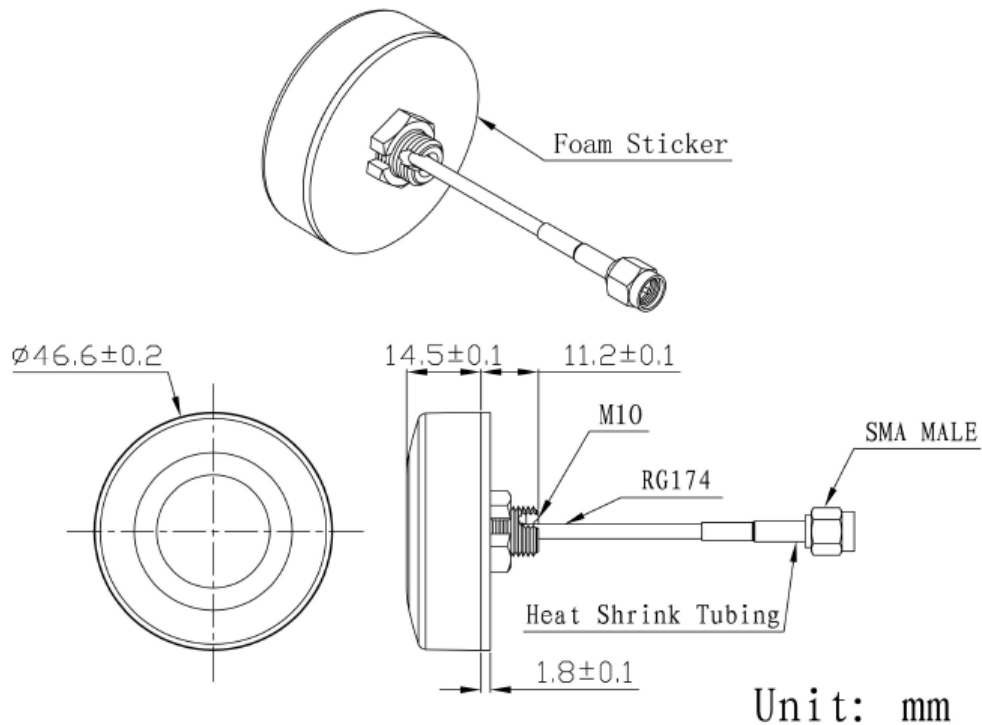
A Company of Geoidsoft Inc.

## GPS Active Antenna

### JCA003



#### Dimensions



**Mobile GPS Online – Geoidsoft Inc.**

3151 Strandherd Drive, P. O. Box 45535, Ottawa, ON K2J 0P9 Canada

<http://www.mobilegpsonline.com> e-mail: [sales@mobilegpsonline.com](mailto:sales@mobilegpsonline.com)

Tel.: 613-8230926

**Specifications**

Item	Specifications	
Antenna	Center Frequency	1575.42 ± 1MHz
	Band Width	CF ± 5MHz
	Polarization	RHCP
	Gain	2dBic (Zenith)
	V.S.W.R	<1.5
	Impedance	50 Ω
	Axial Ratio	3dB (max)
	Dimension	25*25*4mm
LNA	Gain	28 ± 2dB
	Noise Figure	<1.5
	Filter Insertion Loss	<3dB
	Ex-band Attenuation	12dB@CF+50MHz/16dB@CF-50MHz
	Supply Voltage	2.2~5V DC
	Current Consumption	5~15mA
	V.S.W.R	<2.0
Mechanical	Cable	RG174
	Connector	SMA/MCX or others
	Radome Material	ABS
	Mounting Method	Screw
Environmental	Operating Temperature	-40°C ~ +85°C
	Relative Humidity	Up to 95%
	Ingress Protection	IP65~IP67 (exclude cable outlet)
	Vibration	10 to 55Hz with 1.5mm amplitude 2hours
	Environmentally Friendly	ROHS Compliant

**Mobile GPS Online – Geoidsoft Inc.**

3151 Strandherd Drive, P. O. Box 45535, Ottawa, ON K2J 0P9 Canada

<http://www.mobilegpsonline.com> e-mail: [sales@mobilegpsonline.com](mailto:sales@mobilegpsonline.com)

Tel.: 613-8230926

**Radiation Pattern**

