

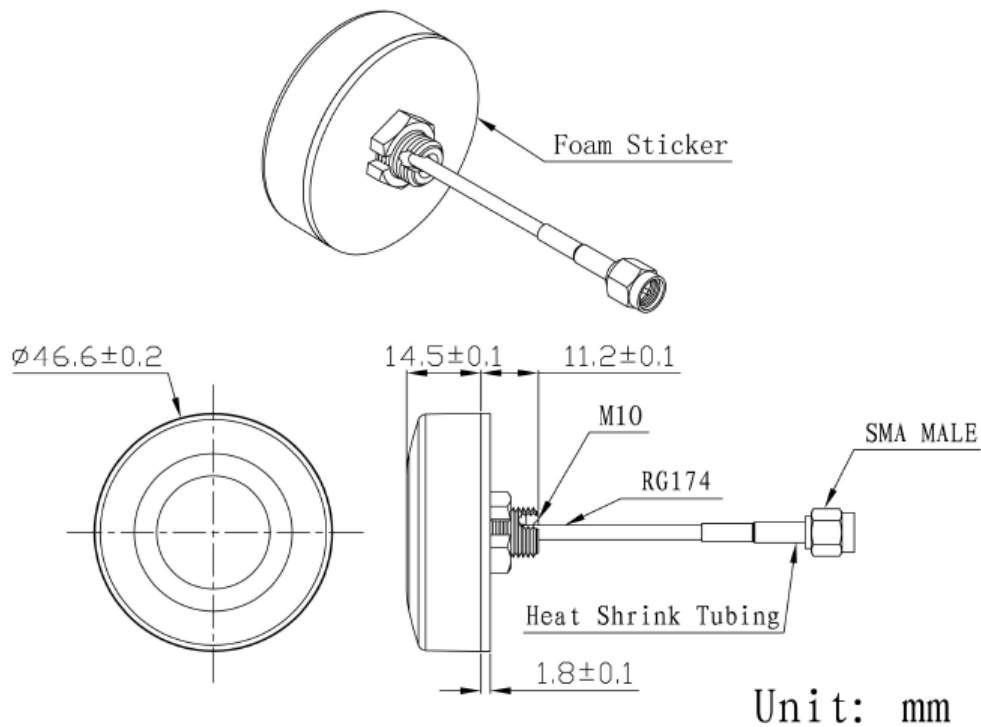
A Company of Geoidsoft Inc.

GPS + GLONASS Active Antenna

JCA003G



Dimensions



Mobile GPS Online – Geoidsoft Inc.

3151 Strandherd Drive, P. O. Box 45535, Ottawa, ON K2J 0P9 Canada

<http://www.mobilegpsonline.com> e-mail: sales@mobilegpsonline.com

Tel.: 613-8230926

Specifications

Item	Specification	
Antenna	Center Frequency	1602-1610MHz 1575.42±3MHz
	Band Width	CF±5MHz
	Polarization	RHCP
	Gain	5dBic
	V.S.W.R	<1.5
	Impedence	50Ω
	Axial Ratio	30dB(max)
	Dimension	59x52x15mm
LNA	Gain	28±2dB
	Noise Figure	<1.5
	Filter Insertion Loss	<3dB
	Ex-band Attenuation	35dB@CF±50MHz/50dB@CF±100MHz
	Supply Voltage	2.2 ~ 5V DC
	Current Consumption	10 ~ 20 mA
	V.S.W.R	<2.0
Mechanical	Cable	RG174
	Connector	SMA/MCX/FAKRA or others
	Radome Material	ABS
	Mounting Method	Magnetic / Adhesive
Environmental	Operating temperature	-40°C ~ +85°C
	Relative Humidity	Up to 95%
	Vibration	10 to 55Hz with 1.5 mm amplitude 2 hours
	Environmentally Friendly	ROHS Compliant

Mobile GPS Online – Geoidsoft Inc.

3151 Strandherd Drive, P. O. Box 45535, Ottawa, ON K2J 0P9 Canada

<http://www.mobilegpsonline.com> e-mail: sales@mobilegpsonline.com

Tel.: 613-8230926

Radiation Pattern

