

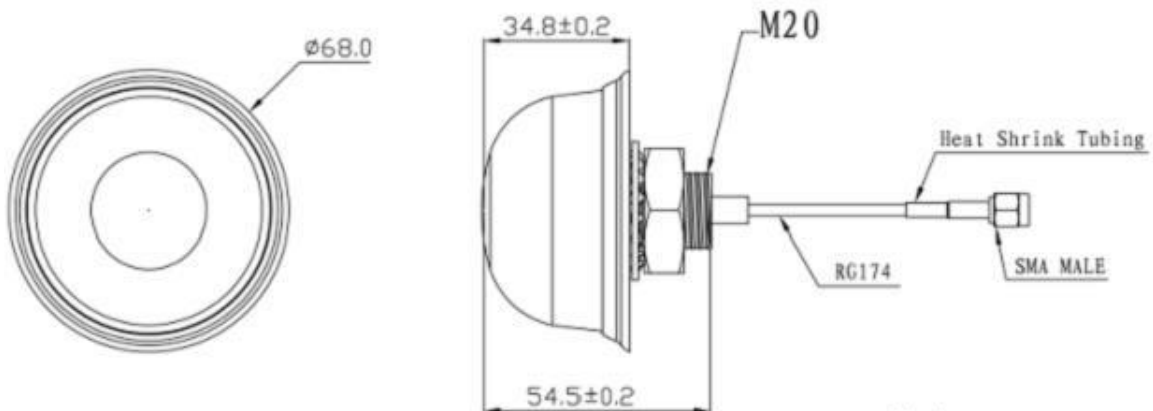
A Company of Geoidsoft Inc.

GPS Active Antenna

JCA601



Dimensions



Unit: mm

Geoidsoft Inc. - Mobile GPS Online

3151 Strandherd Drive, P. O. Box 45535, Ottawa, ON K2J 0P9

<http://www.mobilegpsonline.com> e-mail: sales@mobilegpsonline.com

Tel.: 613-8230926

**Specifications**

Item		Specifications
Antenna	Center Frequency	1575.42±1MHz
	Band Width	CF±5MHz
	Polarization	RHCP
	Gain	5dBic (Zenith)
	V.S.W.R	<1.5
	Impedance	50Ω
	Axial Ratio	3dB (max)
	Dimension	25*25*4mm
LNA	Gain	28±2dB
	Noise Figure	<1.5
	Filter Insertion Loss	<3dB
	Ex-band Attenuation	12dB@CF+50MHz/16dB@CF-50MHz
	Supply Voltage	2.2~5V DC
	Current Consumption	5~15mA
	V.S.W.R	<2.0
Mechanical	Cable	RG174 or others
	Connector	SMA/MCX/FAKRA or others
	Radome Material	ABS
	Mounting Method	Screw
Environmental	Operating Temperature	-40°C~+85°C
	Relative Humidity	Up to 95%
	Ingress Protection	IP67 (exclude cable outlet)
	Vibration	10 to 55Hz with 1.5mm amplitude 2hours
	Environmentally Friendly	ROHS Compliant

Geoidsoft Inc. - Mobile GPS Online

3151 Strandherd Drive, P. O. Box 45535, Ottawa, ON K2J 0P9

<http://www.mobilegpsonline.com> e-mail: sales@mobilegpsonline.com

Tel.: 613-8230926

Radiation Pattern

