

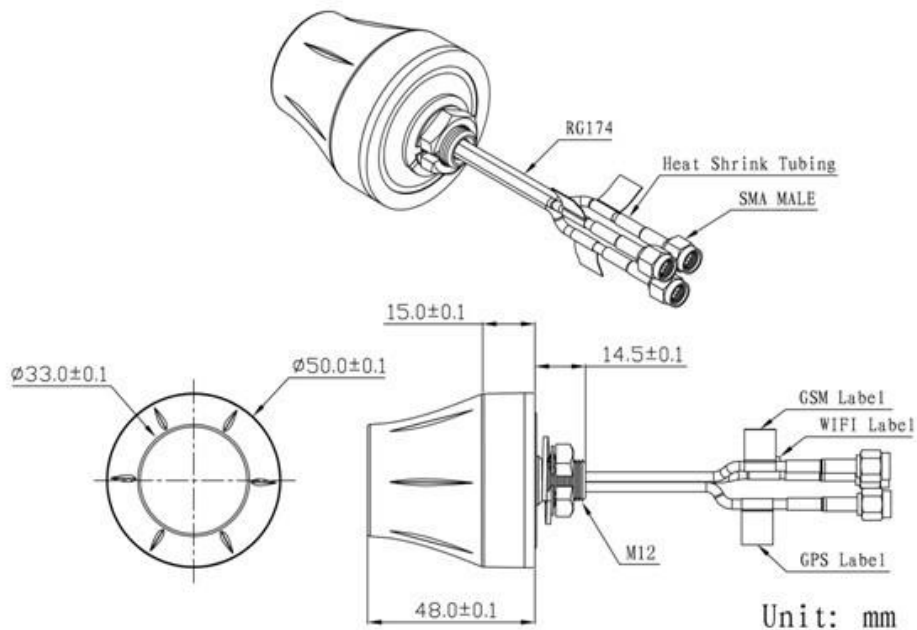
A Company of Geoidsoft Inc.

GPS + GSM + WiFi Combination Antenna

JCE058



Dimensions



Mobile GPS Online – Geoidsoft Inc.

3151 Strandherd Drive, P. O. Box 45535, Ottawa, ON K2J 0P9 Canada

<http://www.mobilegpsonline.com> e-mail: sales@mobilegpsonline.com

Tel.: 613-8230926

Specifications

Item		Specifications	
GPS Antenna	Dielectric Antenna	Center Frequency	1575.42±1MHz
		Band Width	CF±5MHz
		Polarization	RHCP
		Gain	2dBic (Zenith)
		V.S.W.R	<1.5
		Impedance	50Ω
		Axial Ratio	3dB (max)
	LNA	Gain	28±2dB
		Noise Figure	<1.5
		Ex-band Attenuation	12dB@CF+50MHz/16dB@CF-50MHz
		V.S.W.R	<2.0
		Supply Voltage	2.2~5V DC
		Current Consumption	5~15mA
		GSM Antenna	Frequency Range
V.S.W.R	<2.0		
Polarization	Linear		
Gain	2.0dBi		
Impedance	50Ω		
WIFI Antenna	Frequency Range	2400~2483.5MHz	
	Band Width	83.5MHz	
	Polarization	Linear	
	Gain	3dBi	
	V.S.W.R	<2.0	
	Impedance	50 Ω	
Mechanical	Cable	RG174	
	Connector	SMA/MCX/FAKRA or others	
	Material	ABS	
	Mounting Method	Screw	

Mobile GPS Online – Geoidsoft Inc.

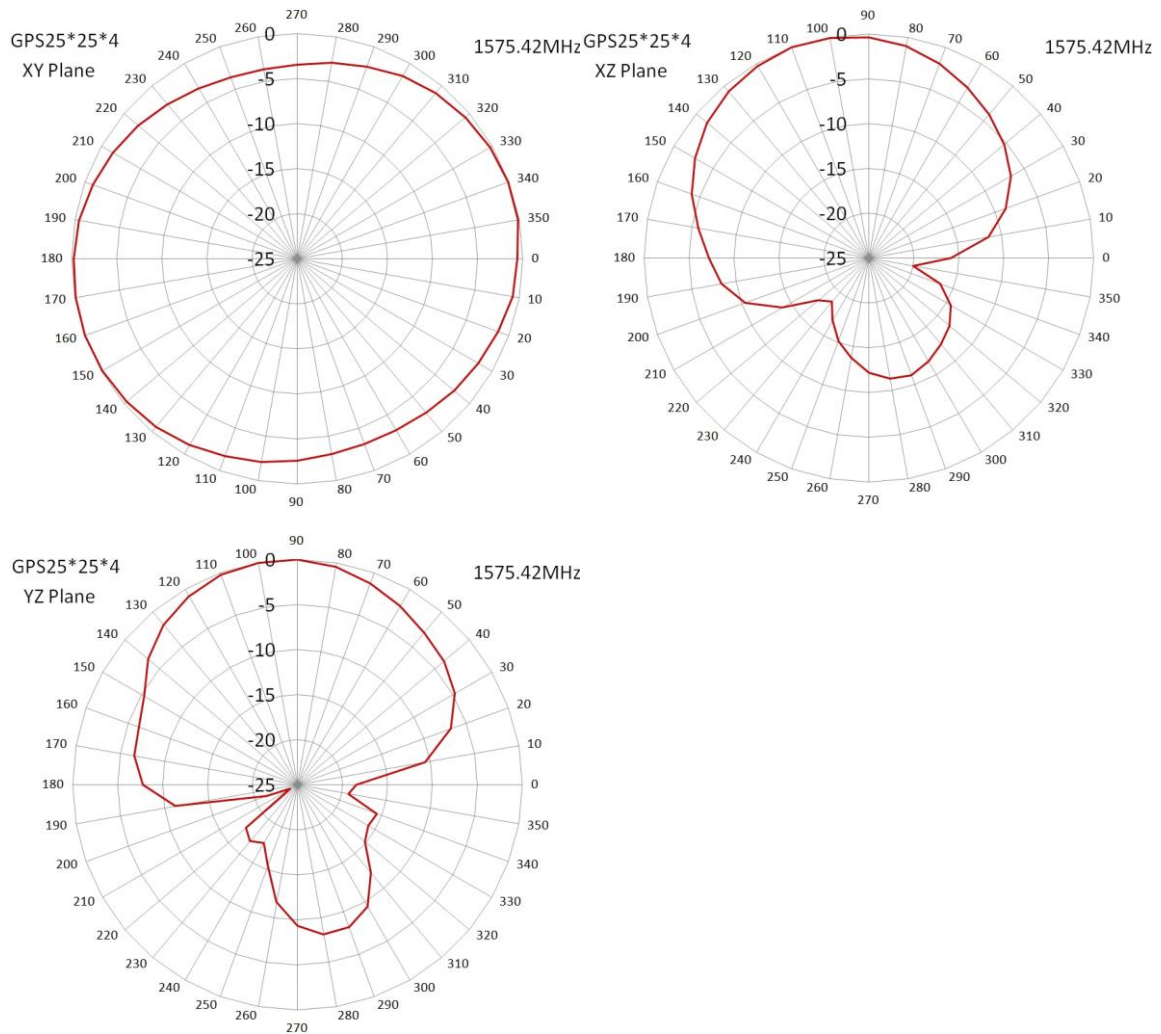
3151 Strandherd Drive, P. O. Box 45535, Ottawa, ON K2J 0P9 Canada

<http://www.mobilegpsonline.com> e-mail: sales@mobilegpsonline.com

Tel.: 613-8230926

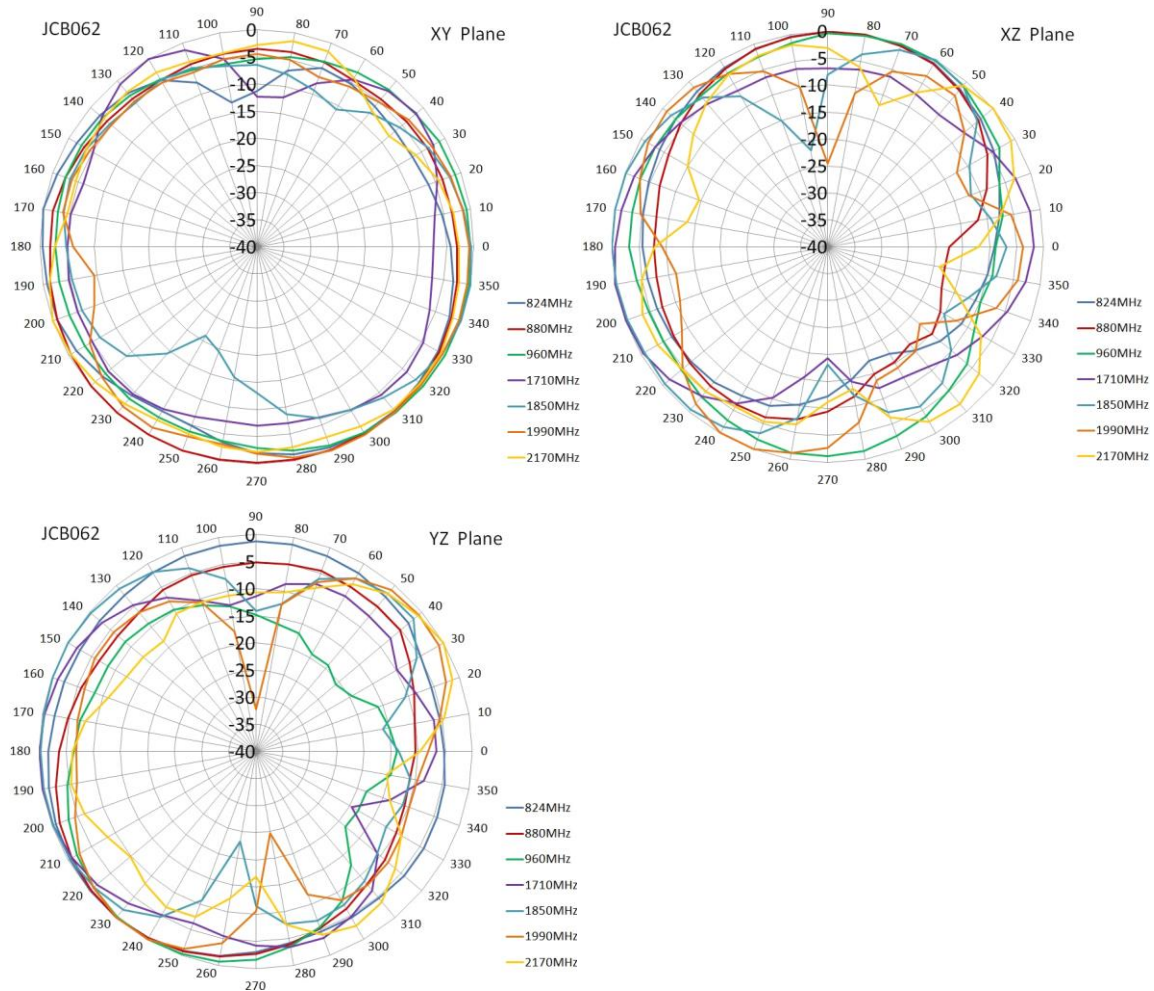
Radiation Pattern

GPS Antenna



Radiation Pattern

GSM Antenna



Radiation Pattern

WiFi Antenna

